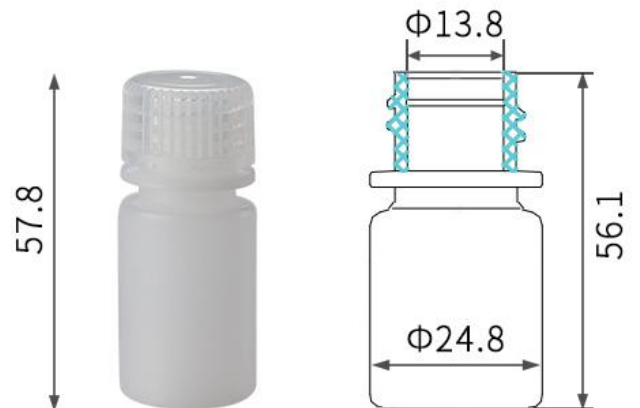
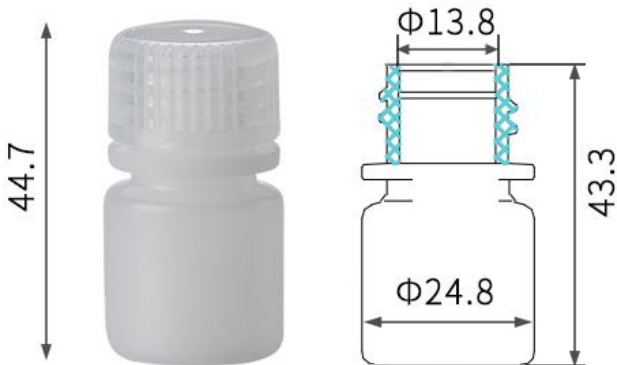
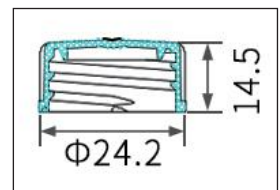
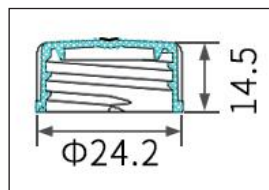


Wide Mouth Lab Bottle

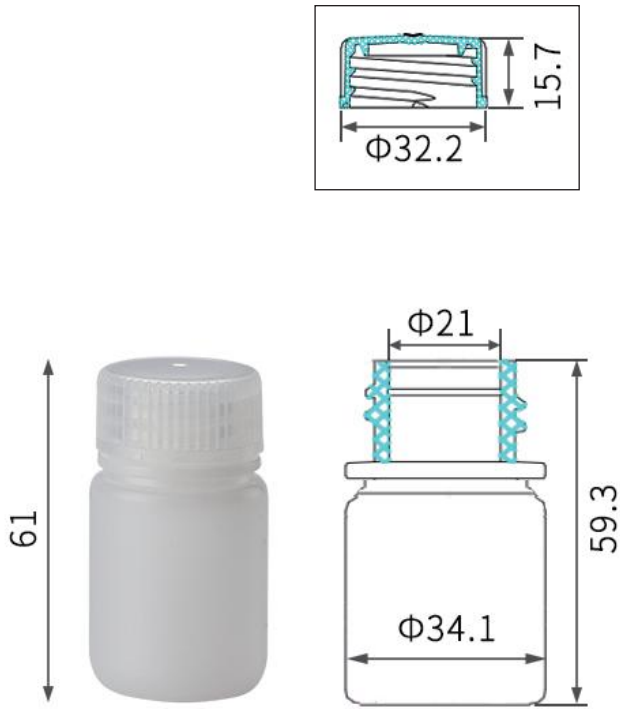


*Measurements Expressed in millimeter (mm)

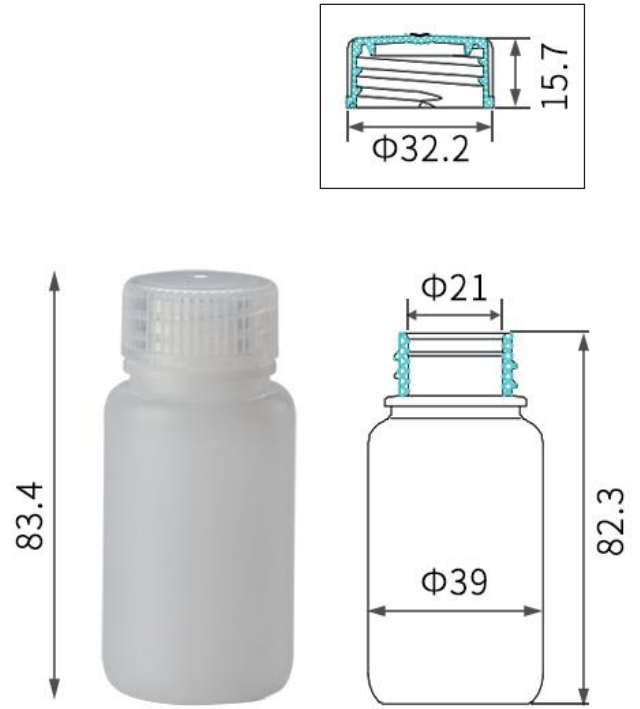


8ml/0.06oz

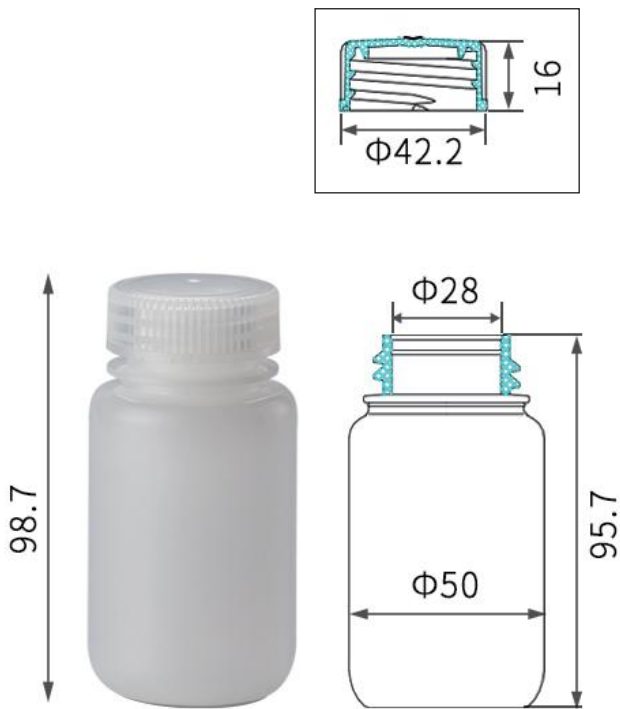
15ml/0.50oz



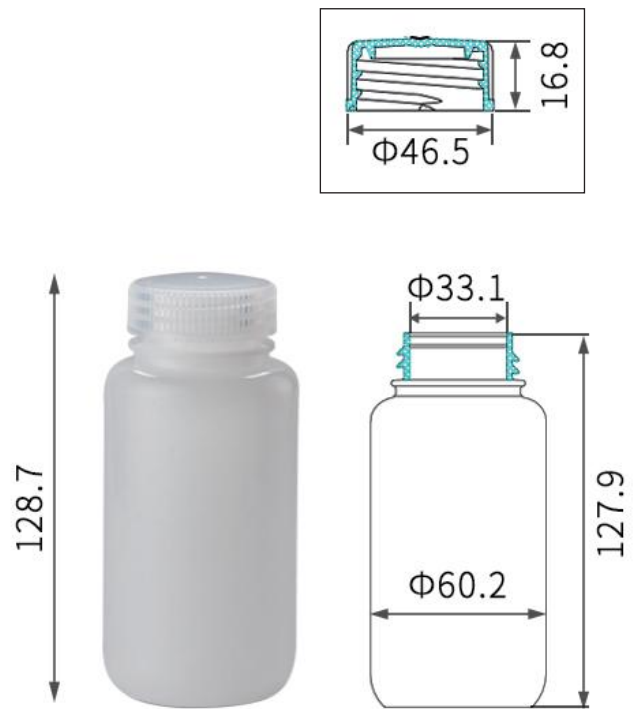
30ml/1.01oz



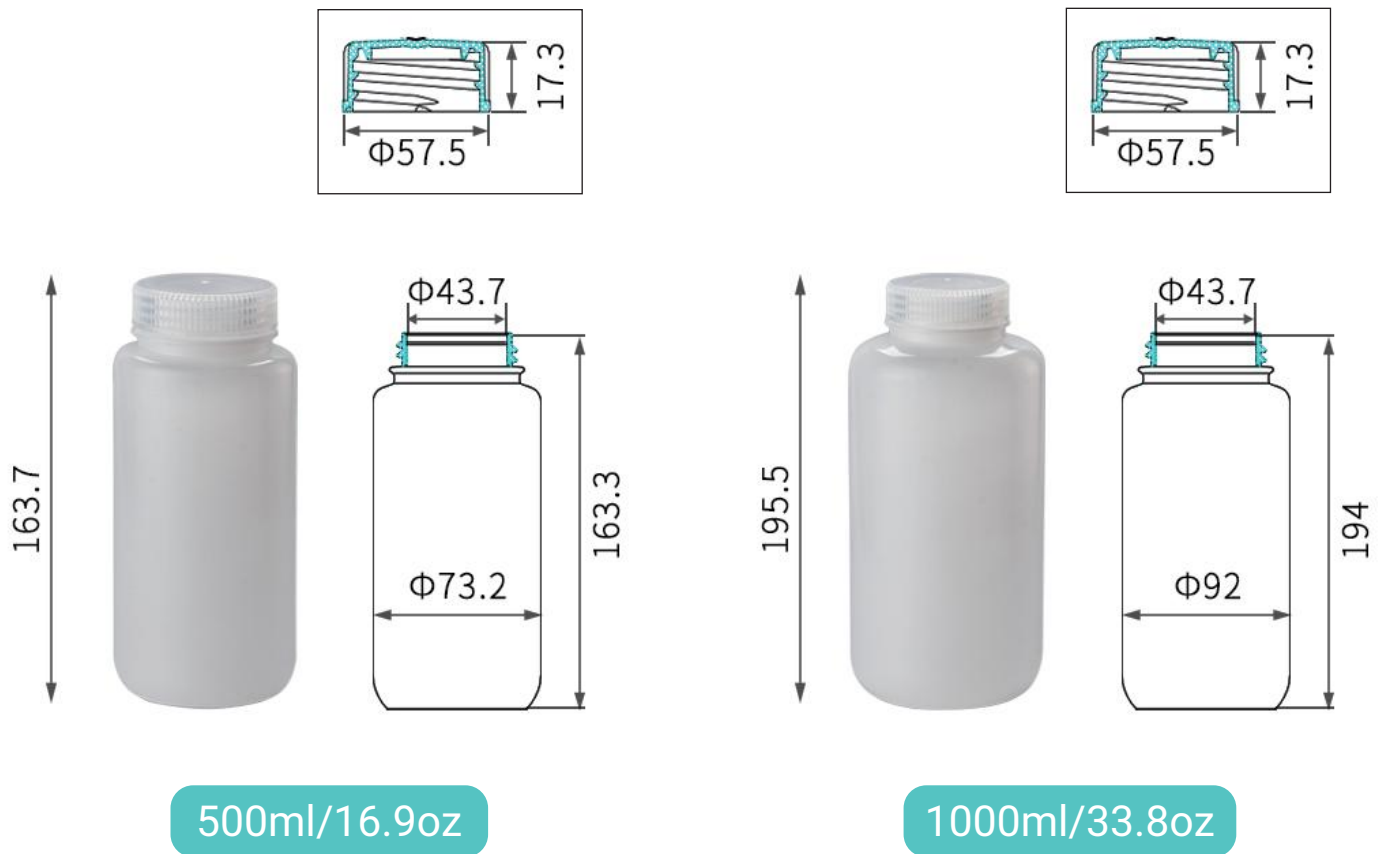
60ml/2.02oz



125ml/4.22oz



250ml/8.45oz



Material	Food grade HDPE/PP material
Color	White/Translucent/Brown or Customized
Capacity	8ml/15ml/30ml/60ml/125ml/250ml/500ml/1000ml
Application Scope	HDPE bottles provide very good chemical compatibility with a wide variety of lab reagents