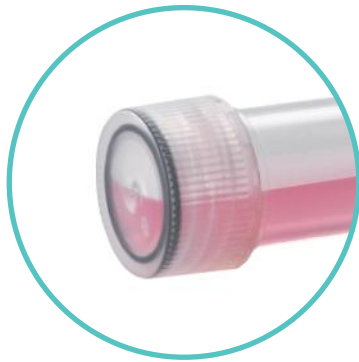


Specimen Collection

Viral Transport Tube



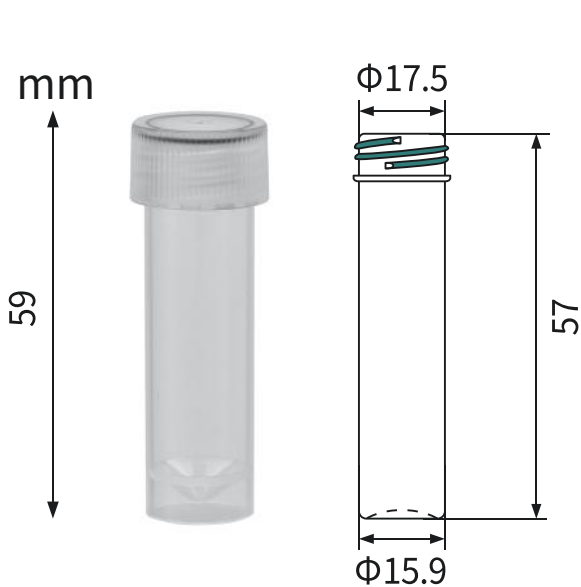
*Material: Polypropylene (PP)



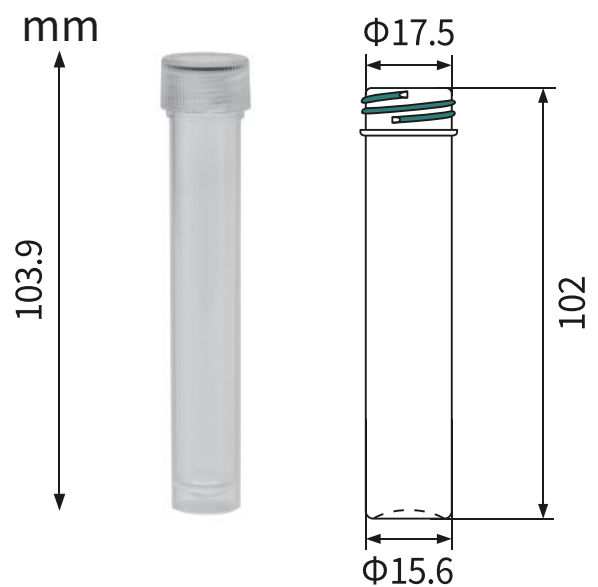
Screw cap with o-rings



Screw cap with recess for swab



5ml/0.16oz



10ml/0.33oz