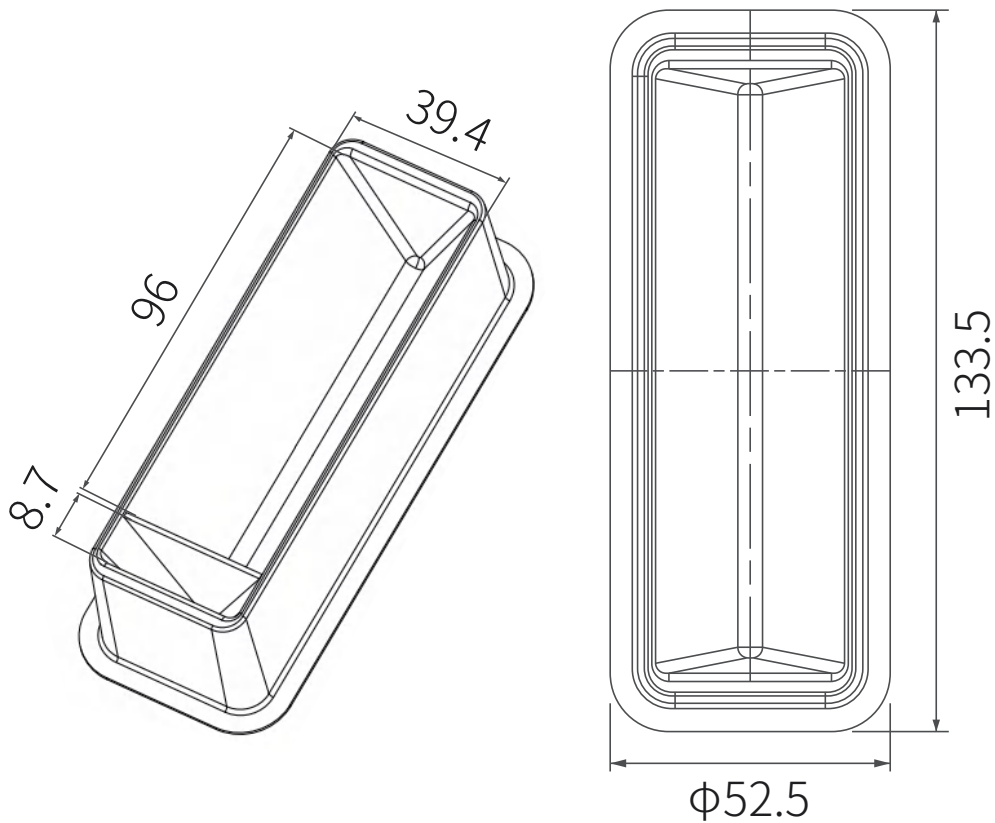


Lab Plasticware

Reagent Reservoirs



*Units of measurement: millimeter(mm)



Material	Food grade PP
Capacity	50ml
Surface	Screen Printing, Label
Application Scope	Reagent Reservoirs for use especially with all multichannel pipettes.